

# Injection Capacitors Type IK



## Description

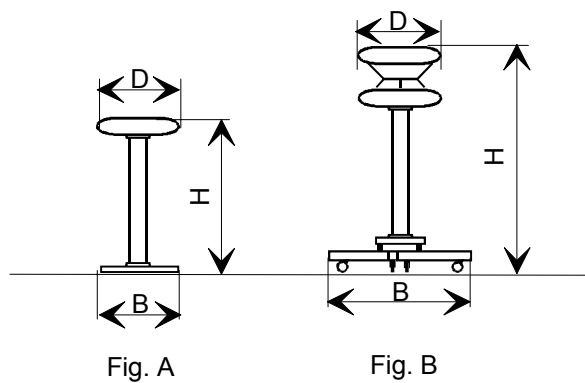
The injection capacitors of the series IK consists of 1 unit, built into a glass fibre reinforced epoxy tube. It is used for:

- injecting a partial discharge calibration signal on the high voltage to check on-line the PD detector calibration.

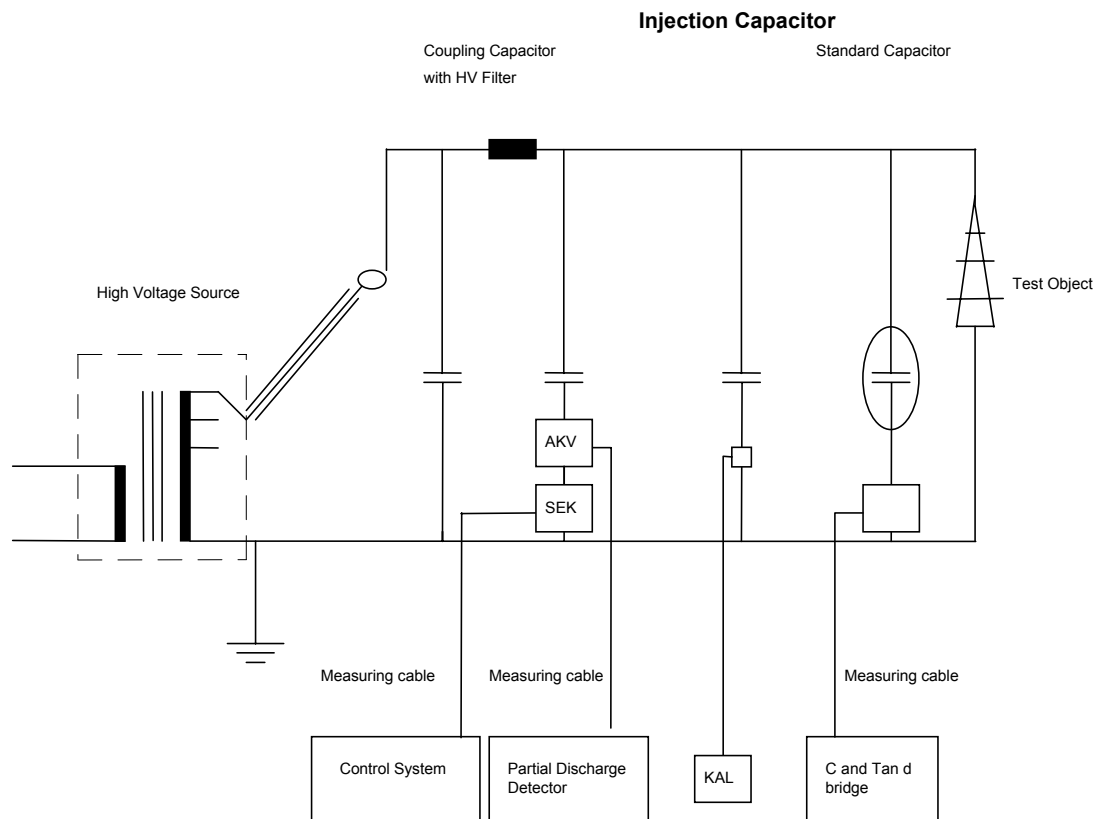
An external battery fed calibrator type KAL 450, KAL 451 or 9216 is connected via the BNC cable to the KAL box of the injection capacitor. The standard base frame is fitted with castors for mobility. They are built for indoor use.

## Technical data of IK series

Type IK	Voltage kV	Capacity nF	PD Level at Un pC	Type	Height H mm	Diameter top electrode D mm	Base frame dimension B mm	Weight net, approx kg
75-0.1	75	0.1	$\leq 1$	A	1300	350	350	20
150-0.1	150	0.1	$\leq 1$	A	1300	350	350	20
300-0.1	300	0.1	$\leq 1$	B	2600	580	800	70
400-0.1	400	0.1	$\leq 1$	B	2800	740	800	80



## Typical electrical diagram of the injection capacitor



### Colours

Insulating parts  
Top electrode

grey-white RAL 9002  
aluminium

### Scope of supply:

- 1 HV capacitor with mobile base frame
- 1 top electrode
- 1 KAL box for calibration impulse adjustment
- 1 BNC cable 75  $\Omega$ , 20 m

### Routine tests in the factory

Normally, the capacitance,  $\tan \delta$ , and partial discharge values are tested before and after the  $1,2 U_n$  over-voltage test.

## Transportation

Usually, the capacitors having a rated voltage of less than 300 kV are shipped assembled and are therefore ready for immediate use.

For higher voltages the injection capacitor must be assembled on-site.

## Accessories (not included)

- Set of HV connections



12.2003

Subject to technical modifications without notice.

Haefely Test AG  
Lehenmattstrasse 353  
CH - 4052 Basel  
Switzerland

Tel. +41 61 373 41 11  
Fax. +41 61 373 49 12  
e-mail [sales@haefely.com](mailto:sales@haefely.com)  
[www.haefely.com](http://www.haefely.com)